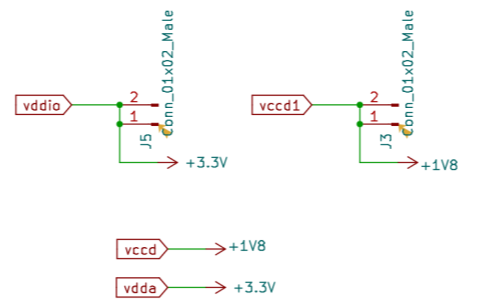
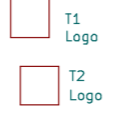
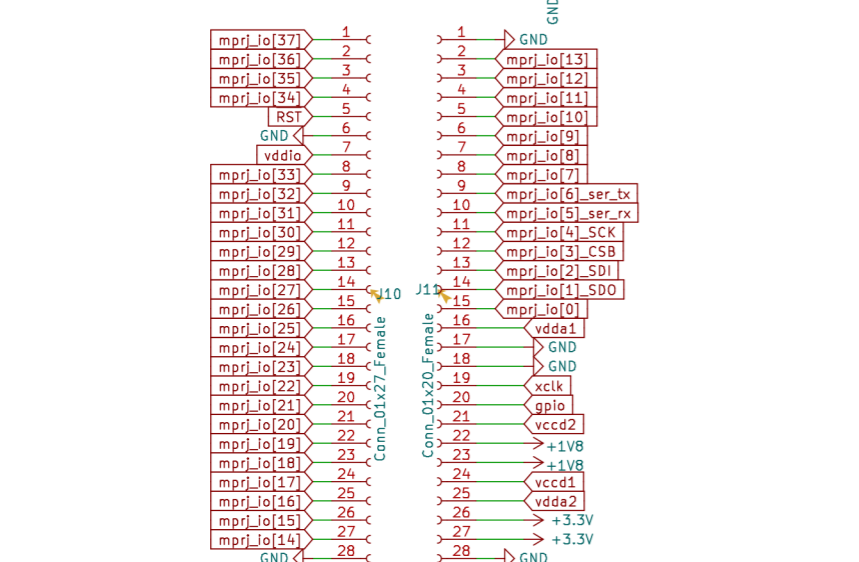
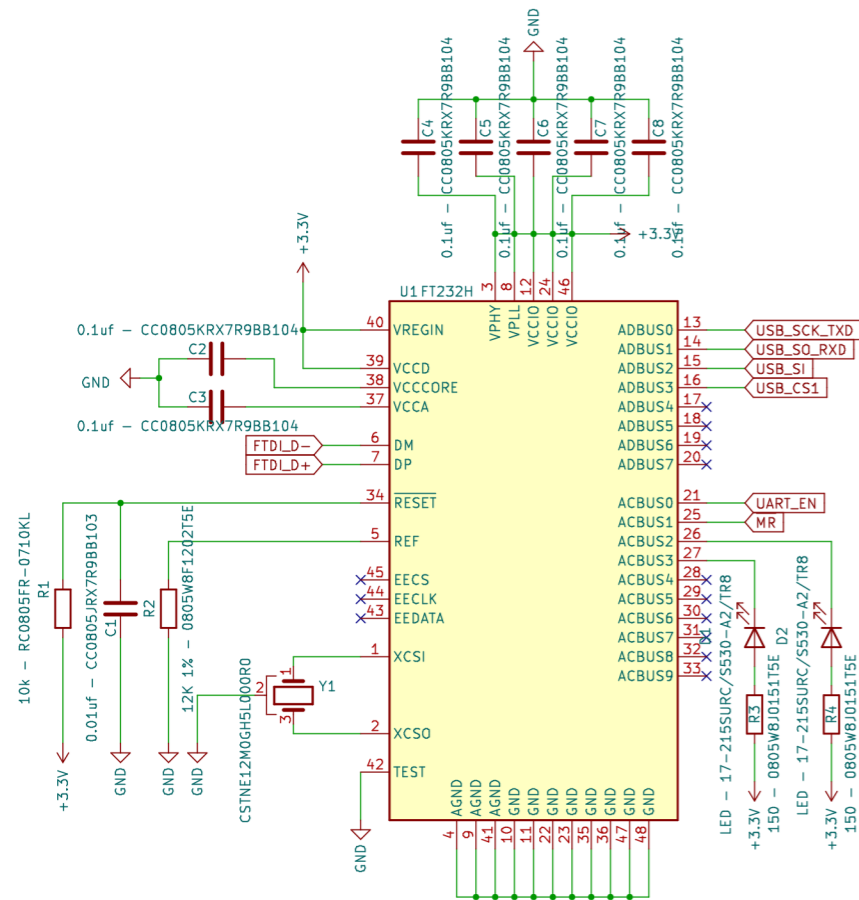
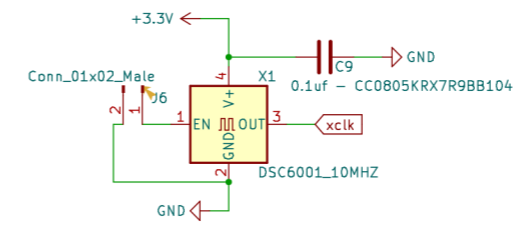


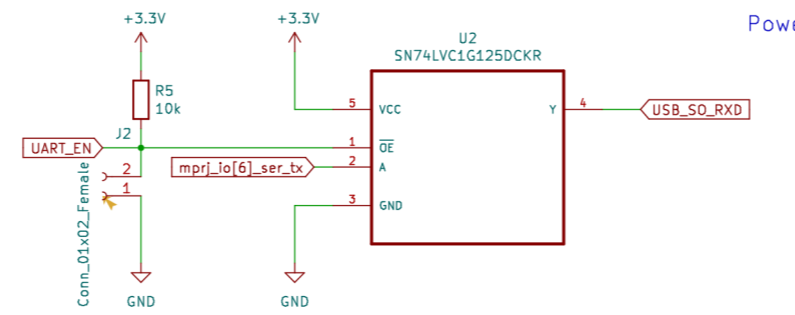
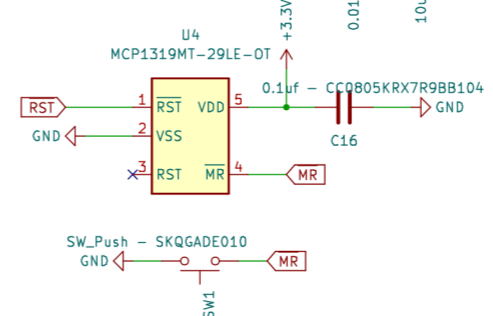
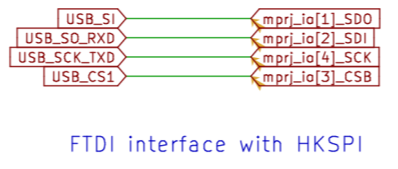
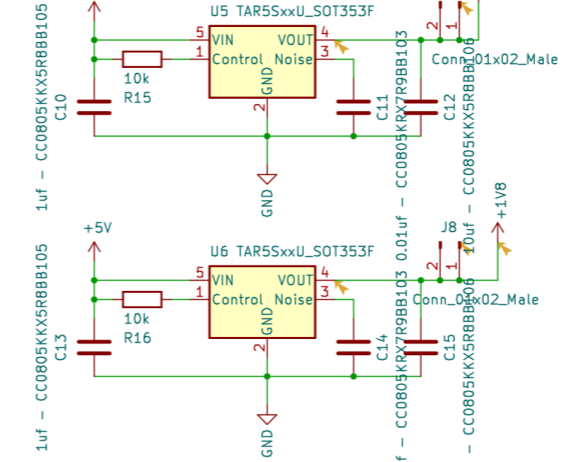
FTDI Module



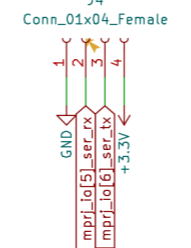
MEMS Oscillator



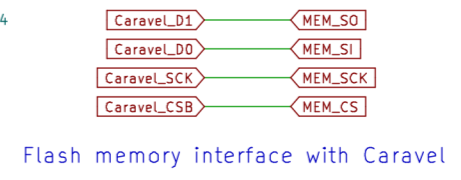
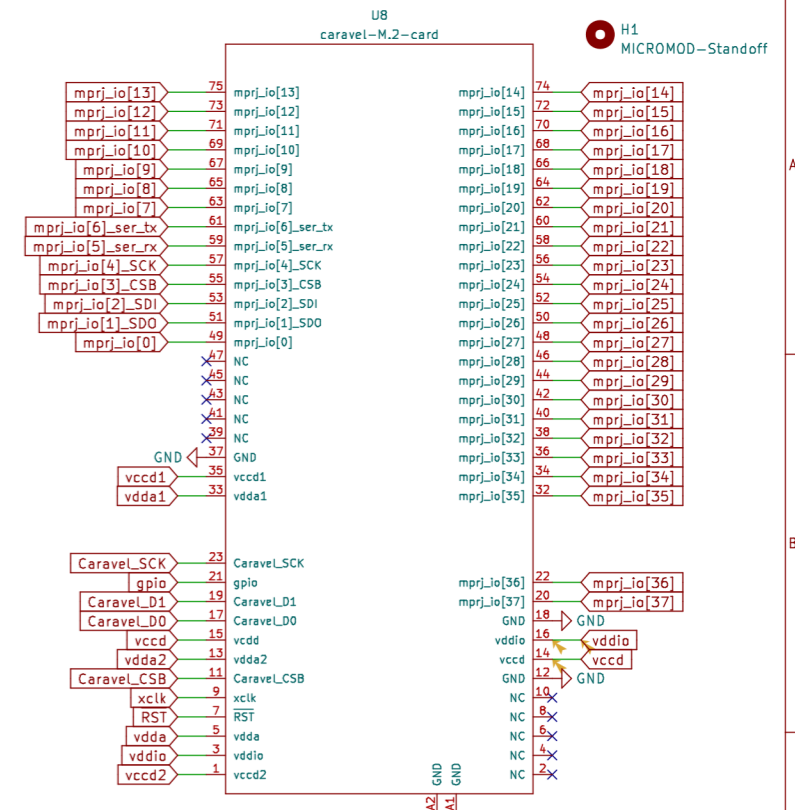
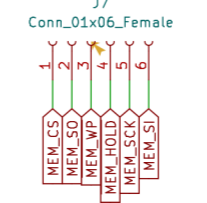
Voltage Regulator



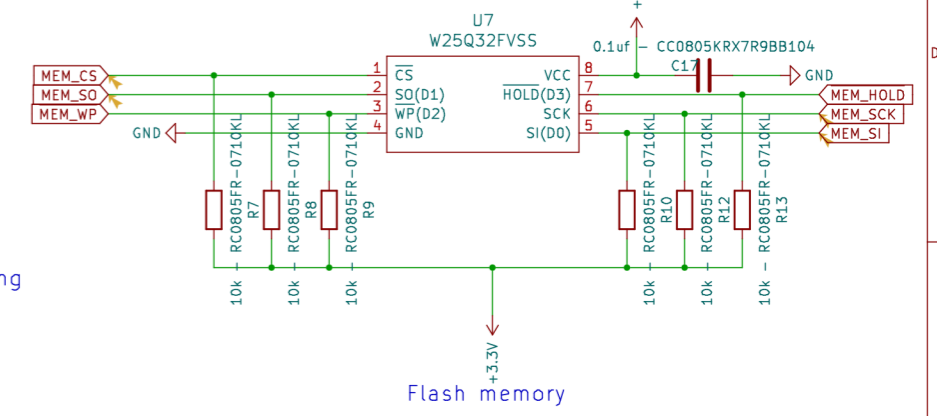
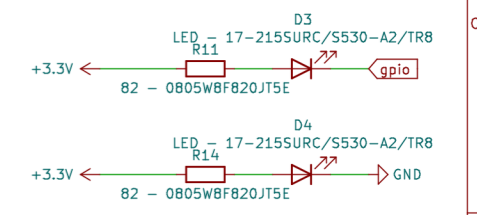
Serial Display



Memory testing



LEDs



Sheet:		
File: caravel-M.2-carrier.kicad_sch		
Title:		
Size: A3	Date:	Rev:
KiCad E.D.A. eeschema 7.0.1-3b83917a11-172-ubuntu22.04.1		Id: 1/1