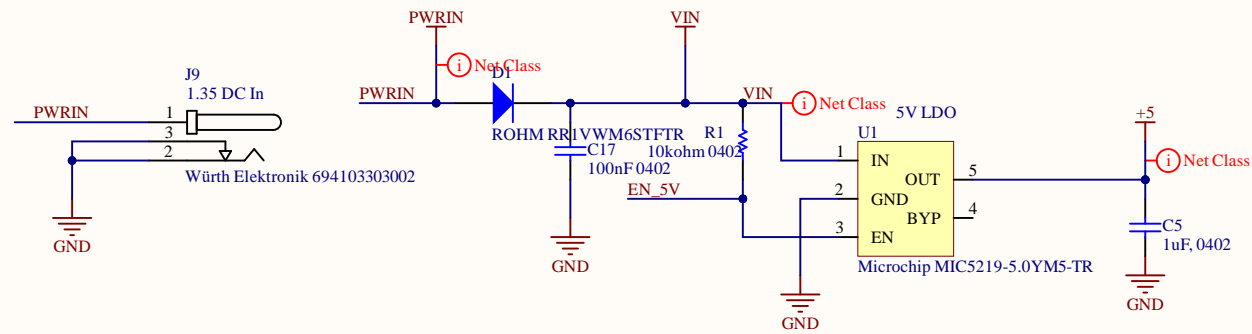
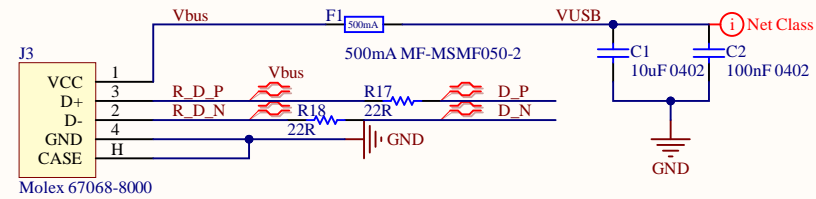


| Title | | |
|-------|------------|-----------|
| Size | Number | Revision |
| B | | |
| Date: | 10/03/2023 | Sheet of |
| File: | MCU.SchDoc | Drawn By: |

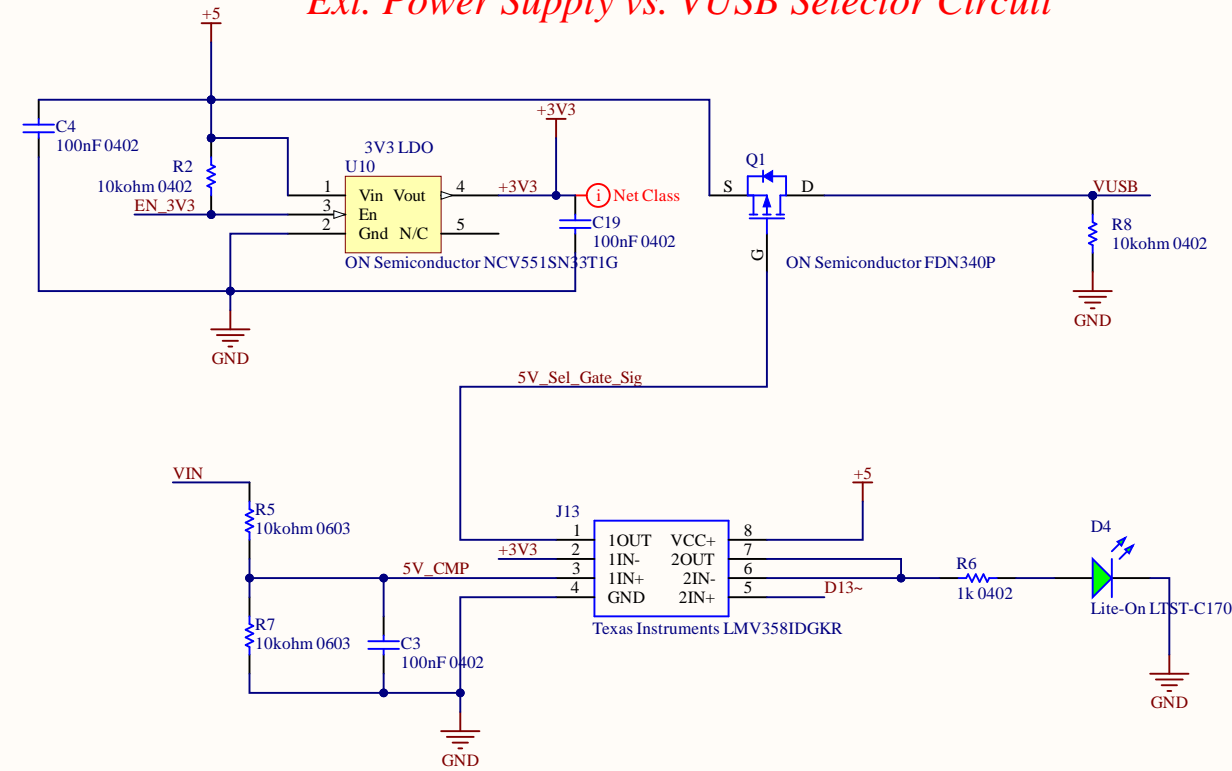
External Power Supply



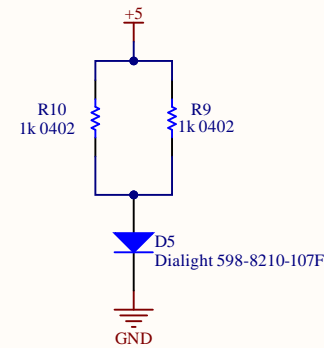
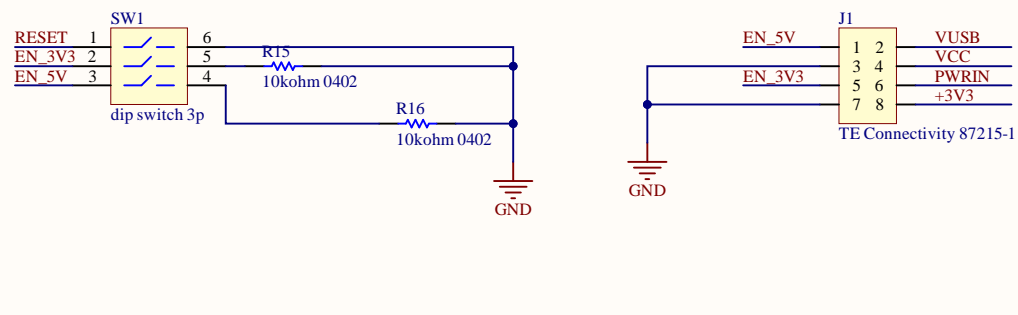
VUSB



Ext. Power Supply vs. VUSB Selector Circuit



Power Debug



| Title | | |
|-------|--------------------|-----------|
| Size | Number | Revision |
| B | | |
| Date: | 10/03/2023 | Sheet of |
| File: | Input_Power.SchDoc | Drawn By: |