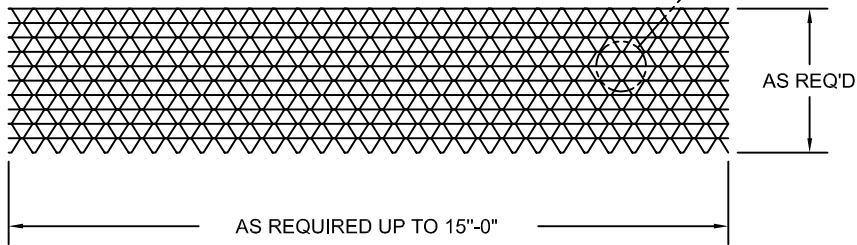
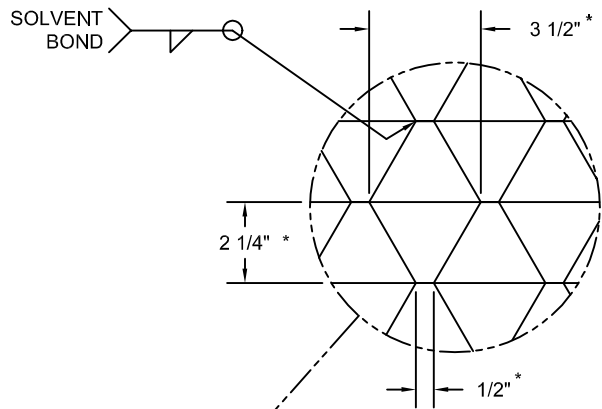
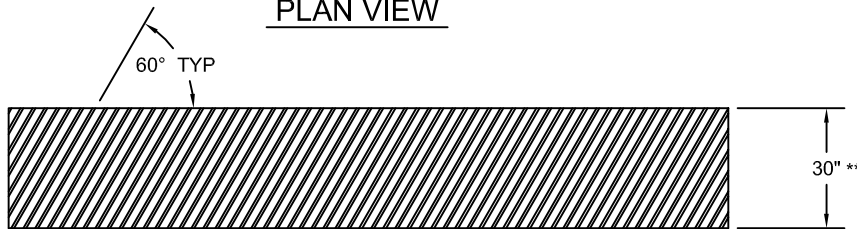


ISOMETRIC VIEW



PLAN VIEW



ELEVATION VIEW

\* NOMINAL DIMENSIONS.

\*\*ACTUAL TUBE LENGTH 34.6"

FILE: TUBE2 DATE: 7/22/94 REV: 2



**enviropax inc.**  
SALT LAKE CITY, UTAH

This drawing and the information contained herein is the property of ENVIROPAX, INC. No use or reproduction thereof may be made without the written permission of ENVIROPAX, INC.

DESCRIPTION:

"3 FT"  
TUBE SETTLER MODULE DETAIL

PAGE: